

HYGIENEX

Hygenex



*range of
Stainless Steel Sluices,
Slophoppers,
Sinks,
Wash Hand Basins
and Janitorial Sanitaryware*

quality with style



SLUICES *and* SLOPHOPPERS

STANDARD FITTINGS

- pressed tops in 304 grade stainless steel
- 360° rim flush action
- 9 litre stainless steel cistern with lever action flush handle
- stainless steel flush pipe
- anti-drip edges
- cantilever brackets for wall-fixing
- stainless steel adjustable front support legs
- 110mm stainless steel P trap
- earthing terminal

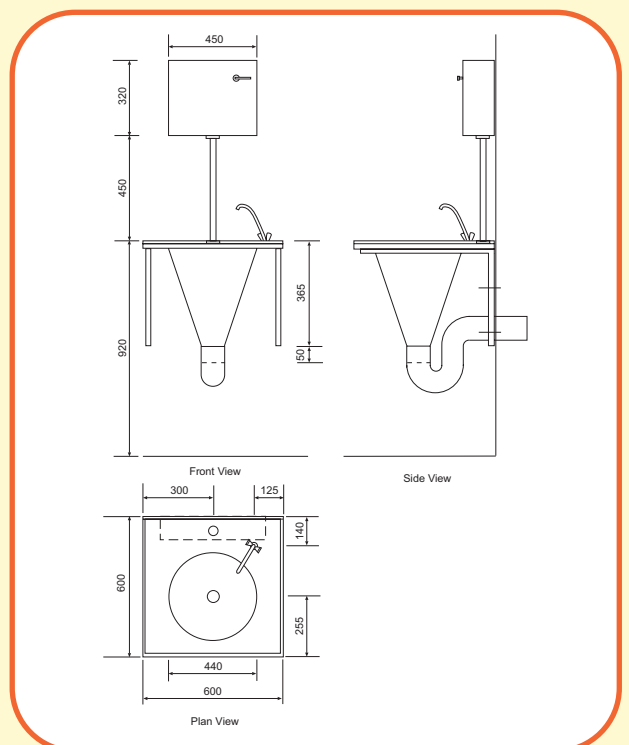
ALTERNATIVE FITTINGS

- plastic cisterns and traps (available as a lower cost option)
- flushing available in back entry for duct mounting
- additional bend to form S trap
- can be manufactured to HTM64

HP10 DISPOSAL HOPPER

Perfect for general disposal and cleaning purposes. Supplied with standard fittings plus:

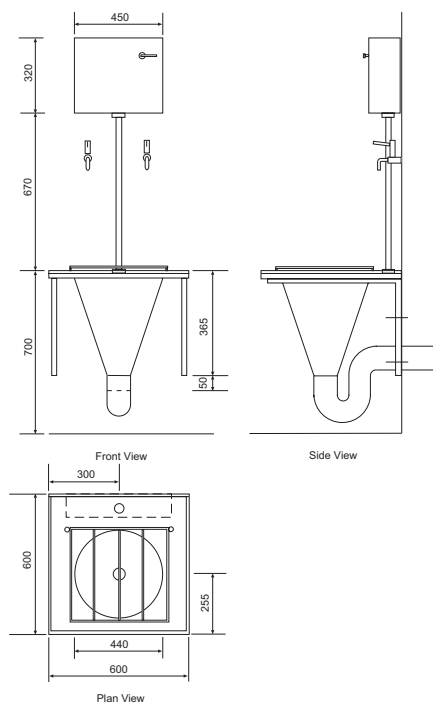
- chrome-plated wrist lever monobloc mixer tap with swivel spout



HP20 JANITORIAL HOPPER

Combining a disposal hopper with a facility for filling and emptying buckets. Supplied with standard fittings plus:

- stainless steel hinged bucket grid
- chrome-plated wrist lever bibcock taps



SLUICES *and* SLOPHOPPERS

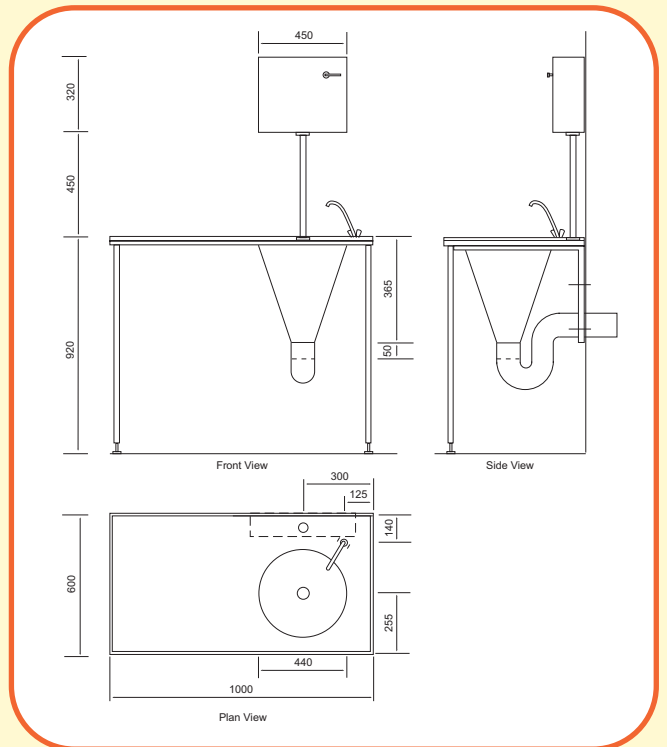


HP30 COMBINED DISPOSAL HOPPER & WORK SURFACE

Combining a hopper with a useful multi-purpose work surface. Supplied with standard fittings plus:

- chrome-plated wrist lever monobloc mixer tap with swivel spout

Available in both left and right hand versions. Standard length 1000mm but other lengths available on request.



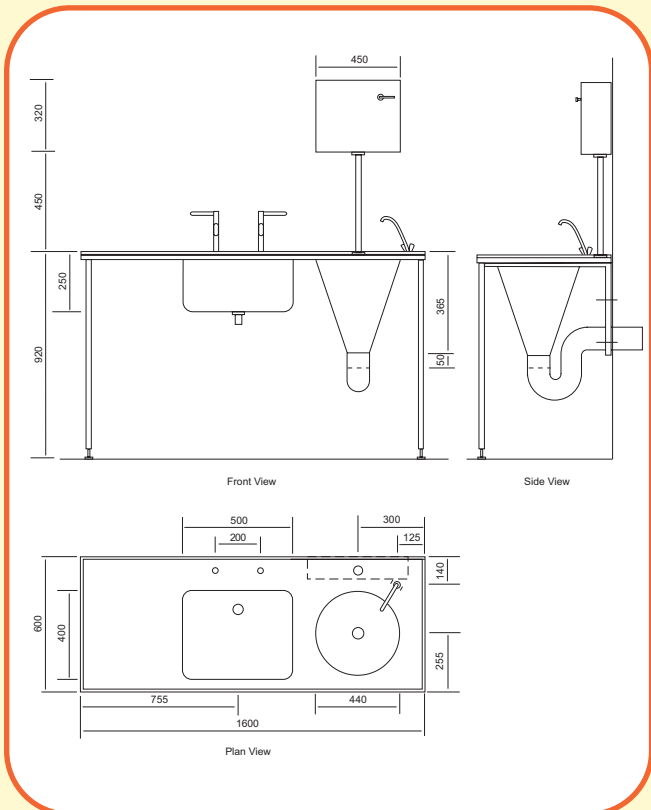


HP40 COMBINED DISPOSAL HOPPER, WORK SURFACE AND SINK

Offering the additional flexibility of a deep sink measuring 500mm x 400mm x 250mm. Supplied with standard fittings plus:

- chrome-plated wrist lever monobloc mixer tap with swivel spout
- chrome-plated wrist lever high neck pillar taps
- sink waste, plug & chain

Available in both left and right hand versions. Standard length 1600mm but other lengths available on request.



SERVICES

- 15mm cold water supply to cistern
- 15mm hot and cold water supply to taps
- 22mm cistern overflow
- 110mm hopper waste
- 38mm sink waste (HP40)

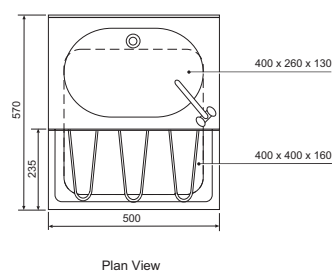
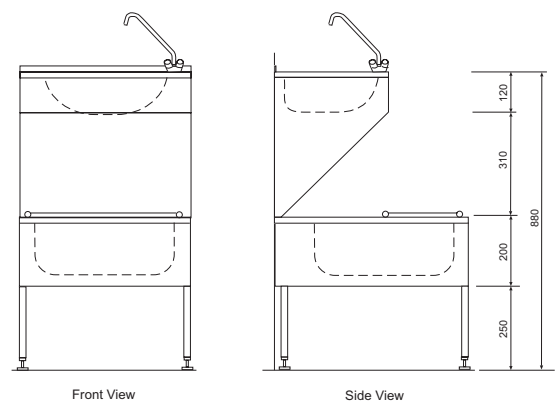
BUCKET SINKS

HP50 JANITORIAL UNIT

This stainless steel janitorial unit is ideal for situations where space is at a premium. The unit combines both a wash hand basin and a facility for filling and emptying buckets.

Standard fittings include:

- stainless steel wash hand basin, measuring 400mm x 260mm x 130mm, complete with waste, plug & chain
- stainless steel sink, measuring 400mm x 400mm x 160mm, complete with waste, plug & chain
- stainless steel hinged bucket grid
- chrome-plated monobloc mixer tap which swivels to serve both the wash hand basin and the bucket sink
- rear legs, inset to allow for passage of pipes and services
- adjustable feet to cope with uneven floor surfaces



SERVICES

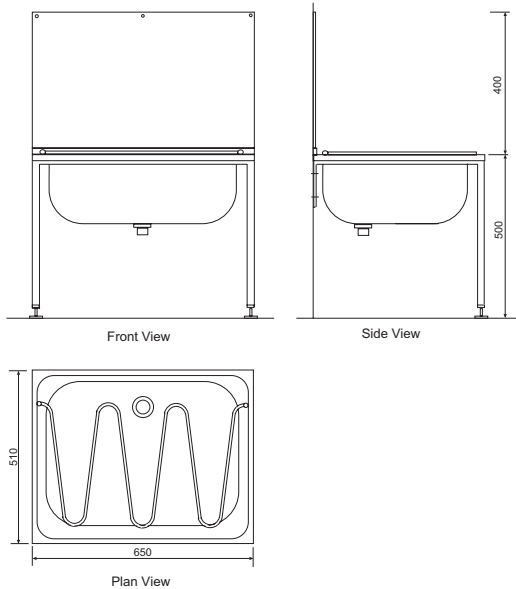
15mm hot and cold water supply to taps
32mm waste to wash hand basin
38mm sink waste

HP60 JANITORIAL UNIT

Where handwash facilities are not required, the bucket sink is available on its own.

Standard fittings include

- stainless steel sink, measuring 530mm x 380mm x 200mm, complete with waste, plug & chain
- stainless steel hinged bucket grid
- chrome-plated wrist lever bibcocks
- stainless steel splash back
- brackets for wall-fixing
- adjustable front support legs



SINK *and* STORAGE UNITS

COMBI SINK UNITS

Comprising a stainless steel sink, work surface and storage cupboard.

Standard fittings include:

- deep stainless steel sink, measuring 500mm x 400mm x 250mm, suitable for filling buckets
- chrome-plated wrist lever high neck pillar taps
- sink waste, plug & chain
- anti-drip edges
- lockable storage cupboard
- cut-out to rear to allow for passage of pipes and services
- adjustable feet to cope with uneven floor surfaces
- earthing terminal

Available in a choice of single or double door sizes. Can be manufactured to HTM64.



SERVICES

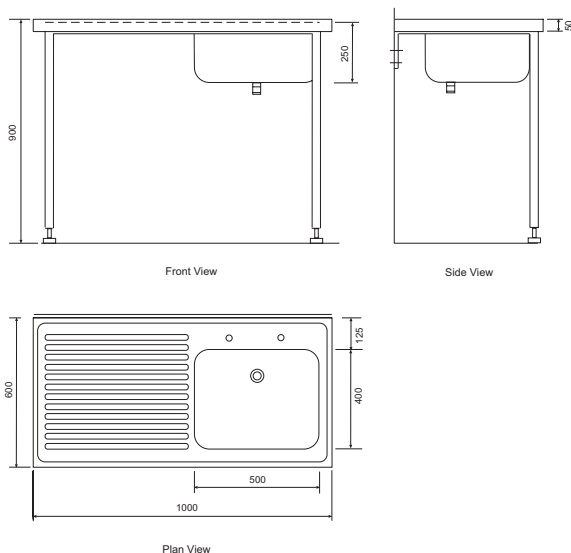
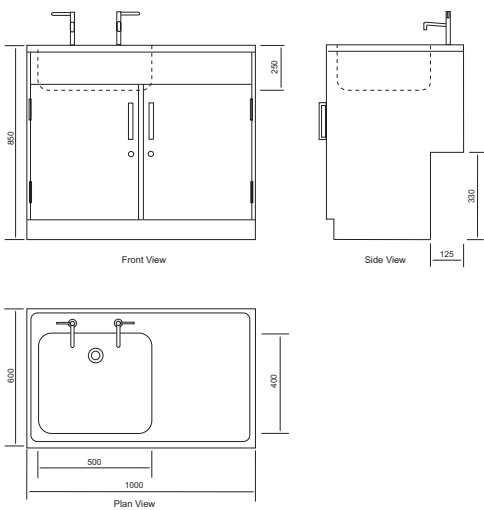
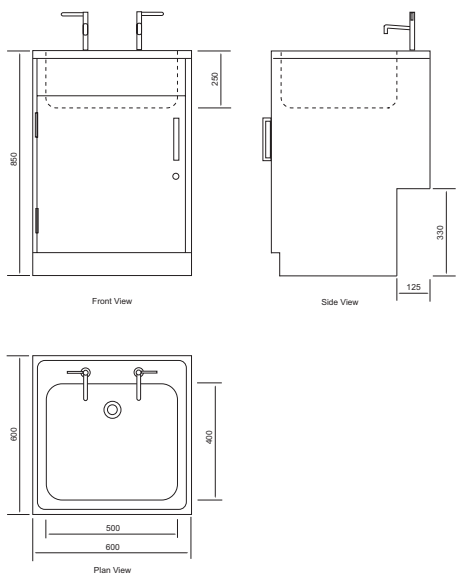
15mm hot and cold supply to taps
38mm sink waste

HP70 SINK UNIT

Standard fittings include:

- deep stainless steel sink, measuring 500mm x 400mm x 250mm, suitable for filling buckets
- chrome-plated wrist lever high neck pillar taps
- sink waste, plug & chain
- anti-drip edges
- cantilever brackets for wall-fixing
- stainless steel adjustable front support legs
- earthing terminal

Available in both left and right hand versions. Standard length 1000mm but other lengths available on request.



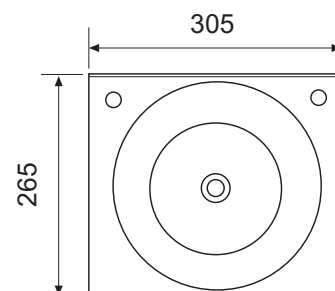
WASH HAND BASINS

STANDARD FITTINGS

- apron support for wall-fixing
- chrome-plated wrist lever taps
- waste, plug & chain

WHB1 WASH HAND BASIN

Bowl size: 235mm diameter x
120mm

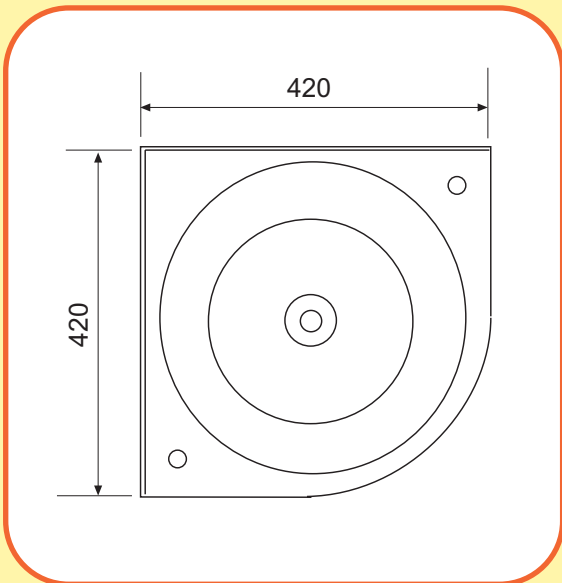
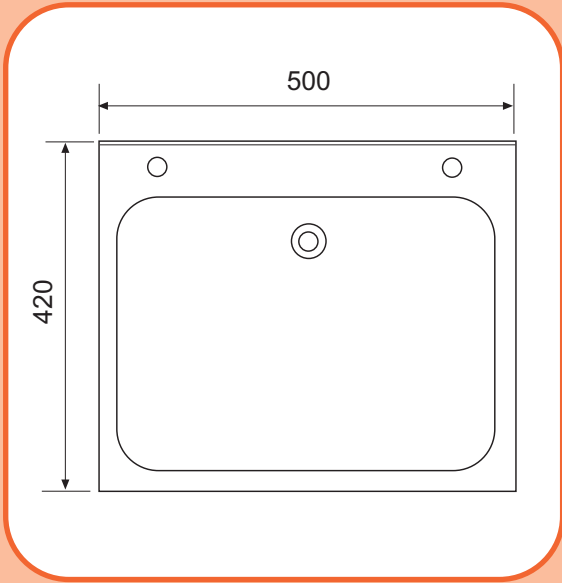


SERVICES

15mm hot and cold supply to taps
32mm waste

WHB2 WASH HAND BASIN

Bowl size: 406mm x 260mm
x 130mm



WHB3 CORNER WASH HAND BASIN

Bowl size: 320mm diameter x
105mm

Product Range

- Hygenex Stainless Steel Sanitaryware
- Panamatic Front-Loading Washer Disinfectors
- Panamatic Top-Loading Sluicer Disinfectors
- Incomatic Pad Macerators
- Disposable Bedpan Macerators
- Ancillary Sluiceroom Equipment
- Sluice Servicing



DDC Dolphin
The Fulcrum
Vantage Way
Poole, BH12 4NU

Telephone: +44 (0) 1202 731555

Facsimile: +44 (0) 1202 731666

Email: sales@sluice.co.uk

Web: www.sluice.co.uk



Certificate No: 1161/96